

RAESS-OPERATION AND INSTALLATION INSTRUCTIONS FOR SINGLE ELECTRIC STEP

1. Installation: Install the step to the chassis of the RV or motorhome (The installation location is determined by the user)

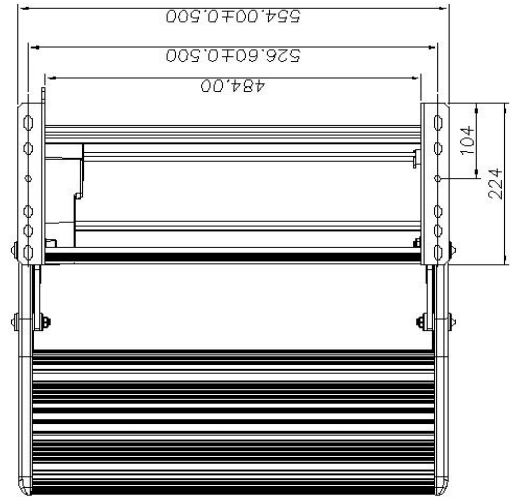
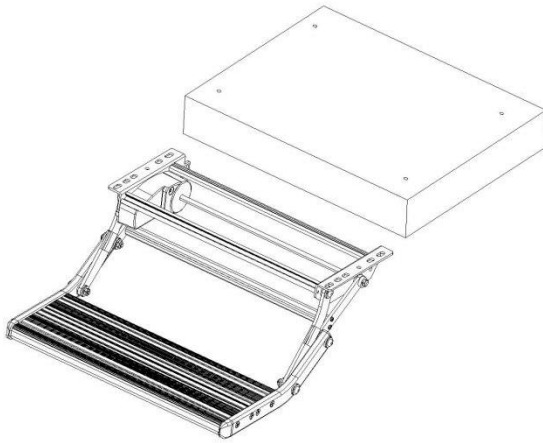


Illustration 1

2. Production parameter:

- (1) Product installation width: 526.7mm; (Illustration 1)
- (2) Height of the product unfold: 227mm; (Illustration 2)
- (3) Height of the product fold: 163mm; (Illustration 3)

3. Illustration for sizes:

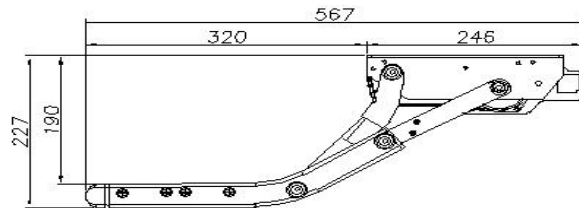
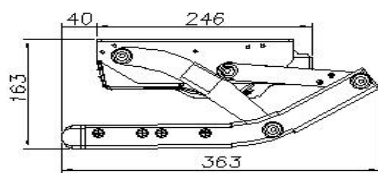
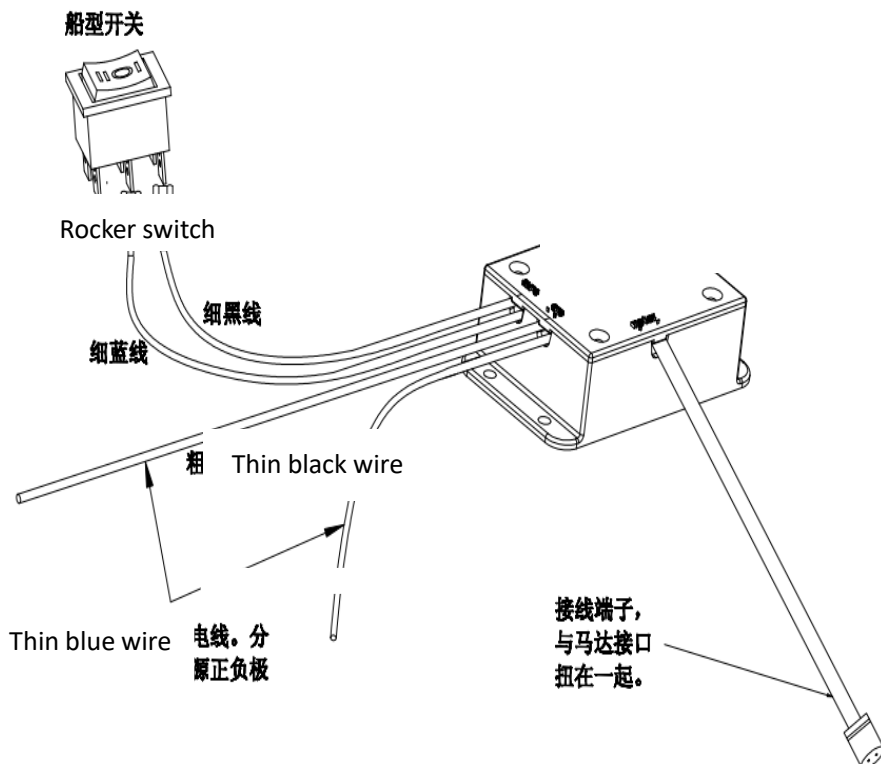


Illustration 3



4. Power box wiring diagram:

5. Switch function:

(1) The switch is rocker switch. When the switch is press down to (-), the set is unfold. (After three seconds, the set is in place) When the switch is pressed down to (=), the set is retracted (After three seconds, the set is in place)

6. Matters need attention:

(1) Treadle is not allowed under the condition that the set is not fully

opened

(2) Regular cleaning of mud, sand, sediment

(3) Treadle doesn't allow lateral impact, the treadle deformation will cause **black** the failure of the function

Step use voltage power:

(1) rated voltage: 12V;

(2) rated current: 3.2A;

(3) rated power: 38.4W;

(4) peak flow: 6A;