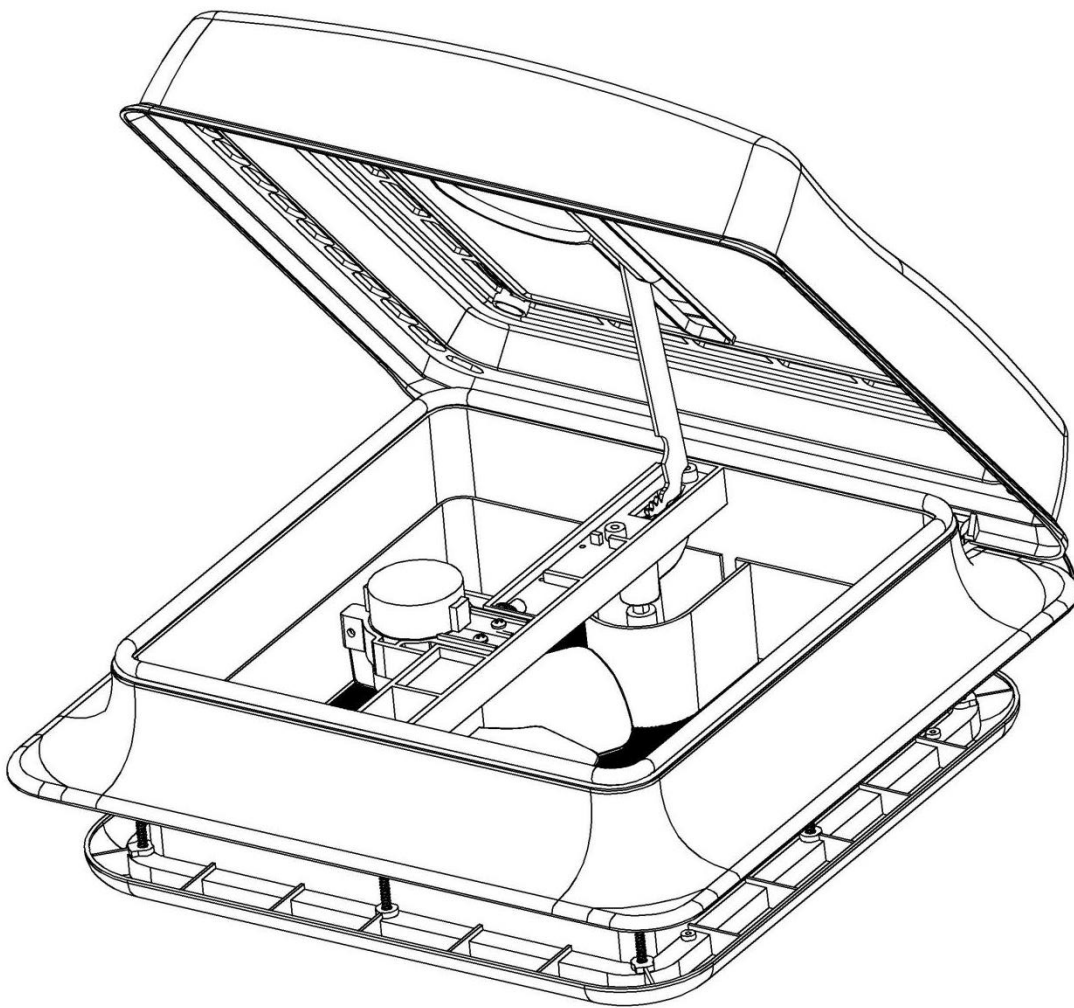


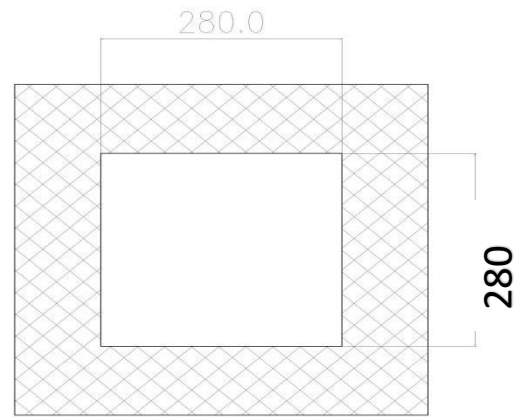
12V SHOWER HATCH

—Installation / Operation Menu



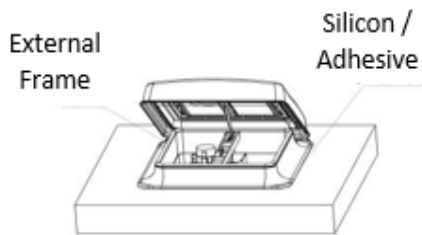
1. Product Information:

- 1. Cutout Dimensions: 280 x 280mm
- 2. Overall Dimensions: 365 x 365mm
- 3. Maximum Opening Angle: $\leq 50^\circ$;
- 4. Roof Thickness: 25-60mm
- 5. Materials: ASA, PC;
- 6. Colour: White
- 7. Air Flow: 9 (m³ /h);

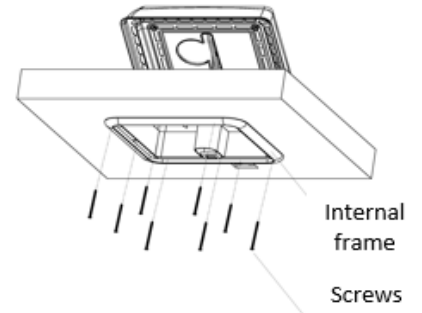


2. Installation:

Step 1: Place silicon /adhesive under the external frame and then place it into the cut out hole



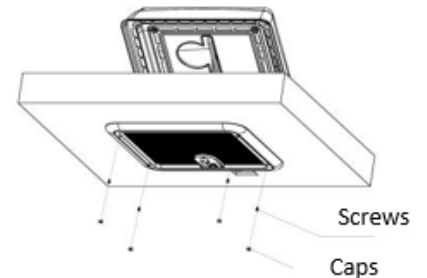
Step 2: Place the internal frame into the cut out hole and line up with the screw holes. Screw it in and do not over tighten.



Step 3: Place the T handle into the flyscreen hole provided and then apply the black rubber ring into the slot so the T handle will be secured / hold to the flyscreen



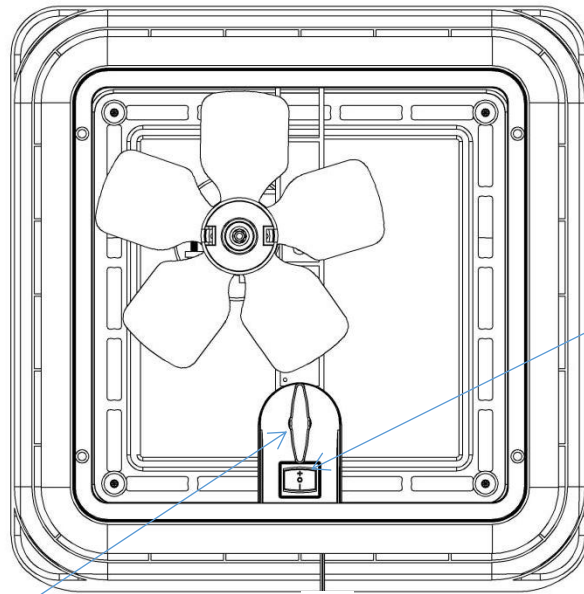
Step 4: Line up the T handle to the metal shaft and then screw the flyscreen to the internal frame



3. Operation

1. Fan switch, reversible control

2. Winder handle to open or close the lid



1. Fan Control

2. Winder Handle

Caution: make sure close the hatch lid prior of travelling and ensure the lid is closed in the windy condition.