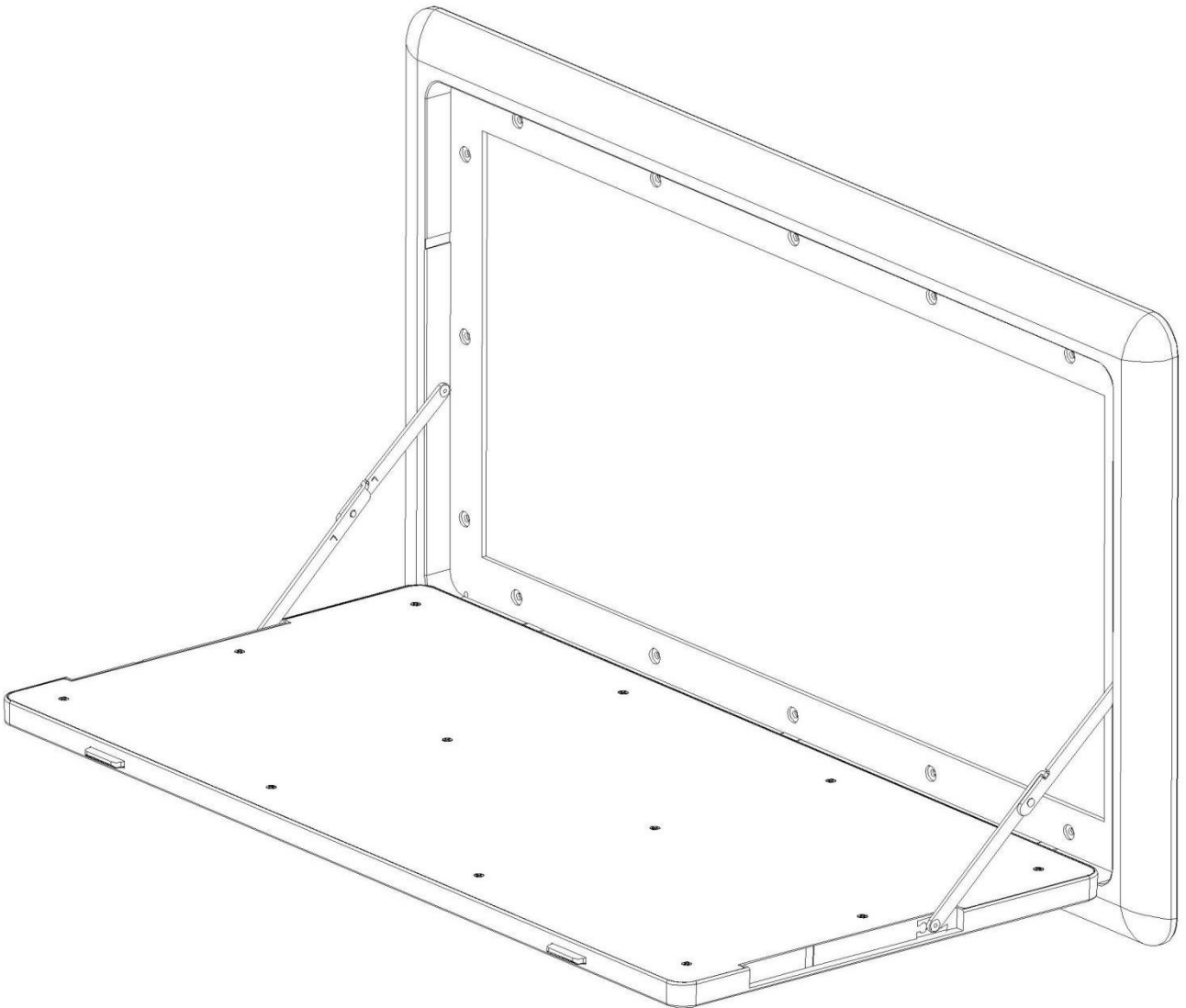


PICNIC TABLE

—OPERATION AND INSTALLATION
INSTRUCTIONS



1. Product parameter:

(1) Overall size: 800x450x25;

(2) Product weight: 5kgs;

(3) Support up to : 30kgs

(4) Product color: Black or White

2. Installation steps:

1、 open the picnic table;



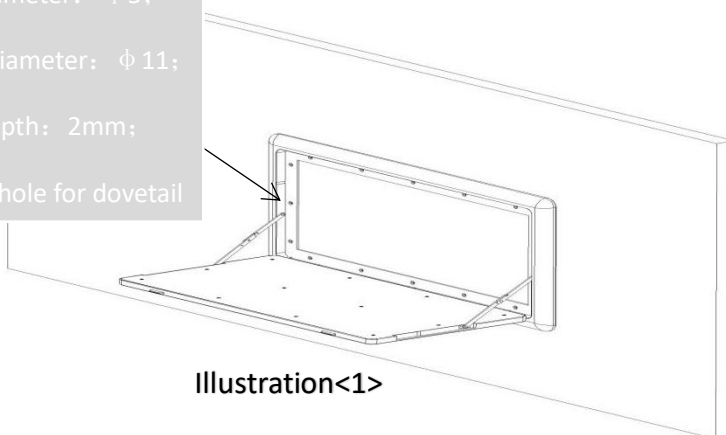
2、 Use M4 dovetail screw to fix the picnic table to the wallboard



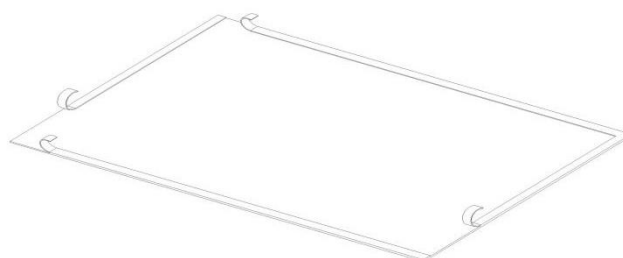
3、 Tearing off the double-sided adhesive isolation layer on the back of the liner
(Illustration <2>)



- 1. Inner diameter: $\phi 5$;
- 2. Outer diameter: $\phi 11$;
- 3. Step depth: 2mm;
- 4. Guide hole for dovetail



Illustration<1>

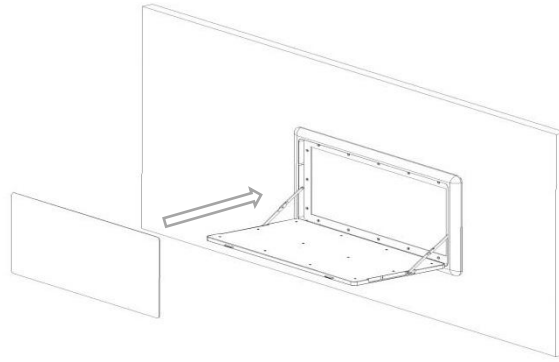


Illustration<2>

4、 Put the lining into the specified position of the picnic table
(Illustration<3>)



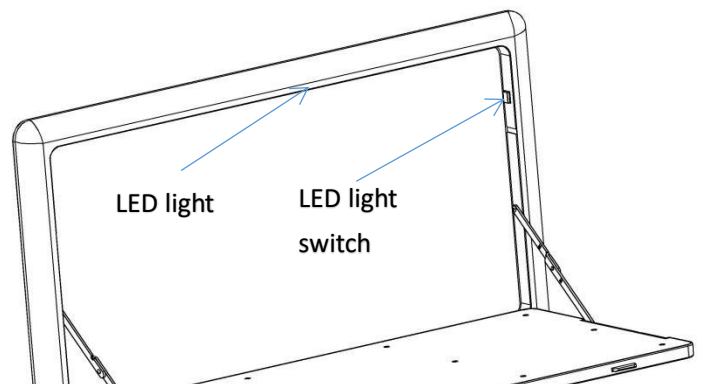
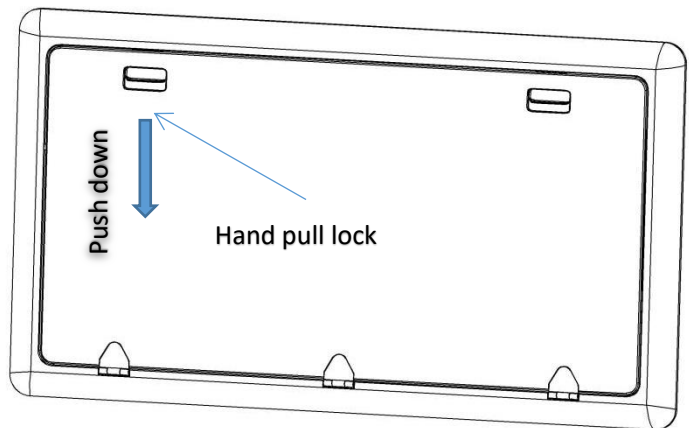
Installation finish



Illustration<3>

3. Operation Instructions:

1、 Pull the hand pull lock,push down and open。



2、 Lift up at the connecting rod joint,close it

